

DESCRIPTION: Ultrasonic Sensor
MODEL: MSW-A40100H17TR-W

FEATURES

Dual Use: Transmitter and Receiver
 Compact and light weight.
 High sensitivity and sound pressure
 Less power consumption
 High reliability

PICTURE:

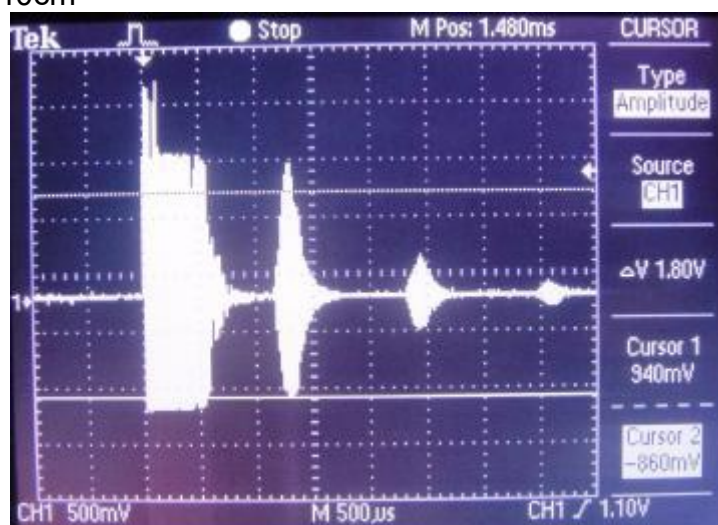


SPECIFICATIONS

Item	Value
Using method	Transmitter and Receiver
Center frequency	100±8
Receive Sensitivity Echo	≥1.8V (driver signal: 200Vp-p, 100KHz, at 40cm)
Capacitance	900pf±25%at1KHz
Max.Input Voltage	600Vp-p
Directivity (-3dB)	12±2°
Distance of ditECTION	0.2~3M
Operating Temperature	-40~+85℃
Storage Temperature	-40~+85℃
Metals of case	Aluminum
Protection class	IP68

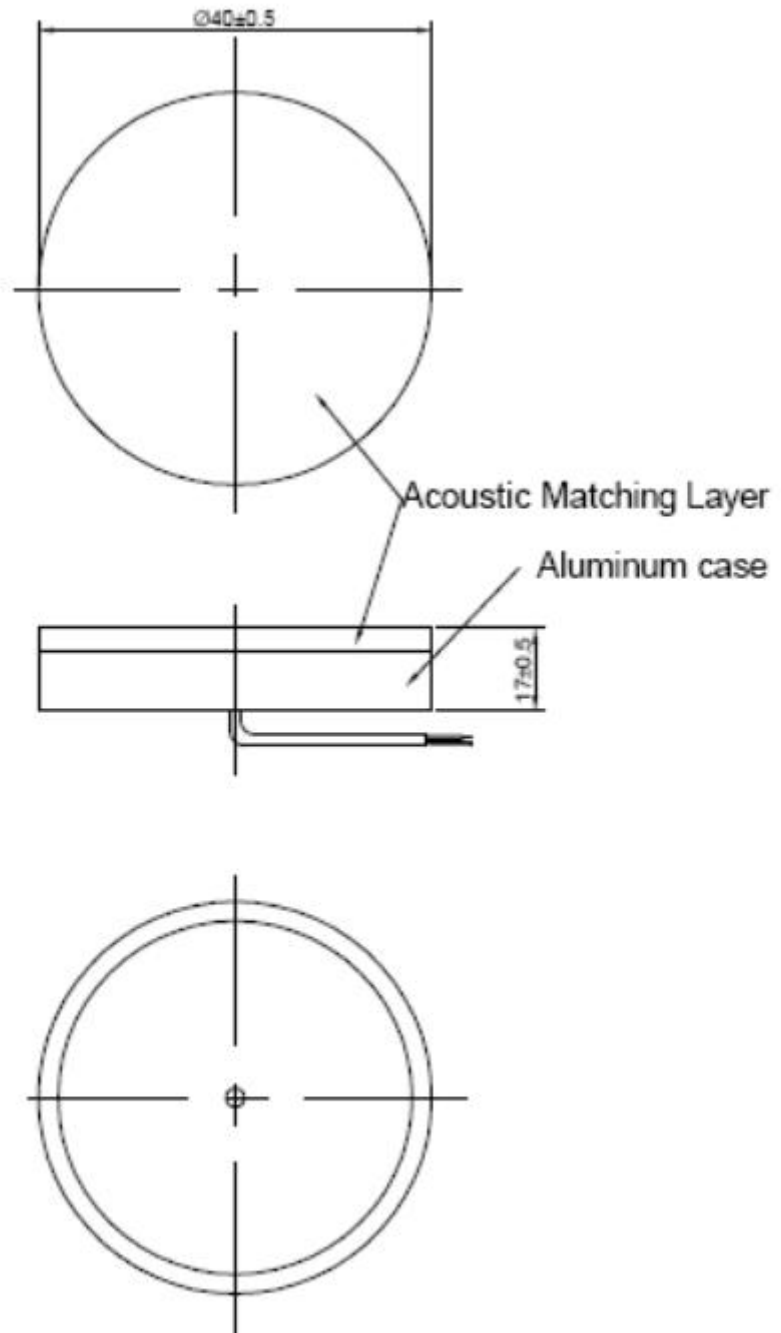
ECHO SENSITIVITY/RINGING

Driver signal: 200Vp-p,40cm



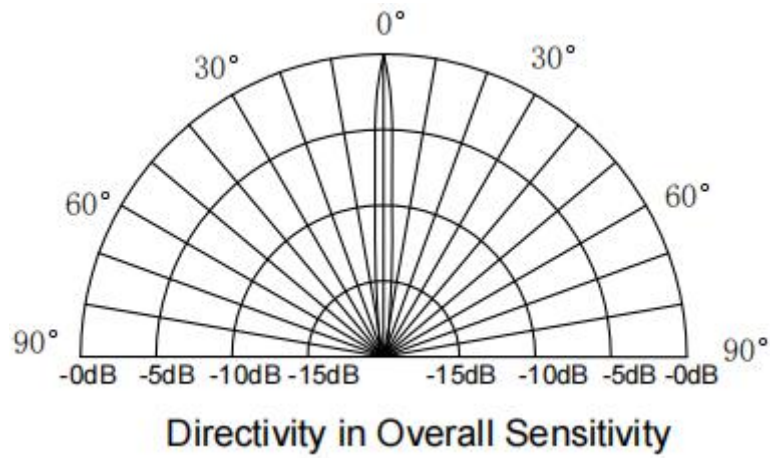
MECHANICAL DRAWING AND DIRECTIVITY

units:mm

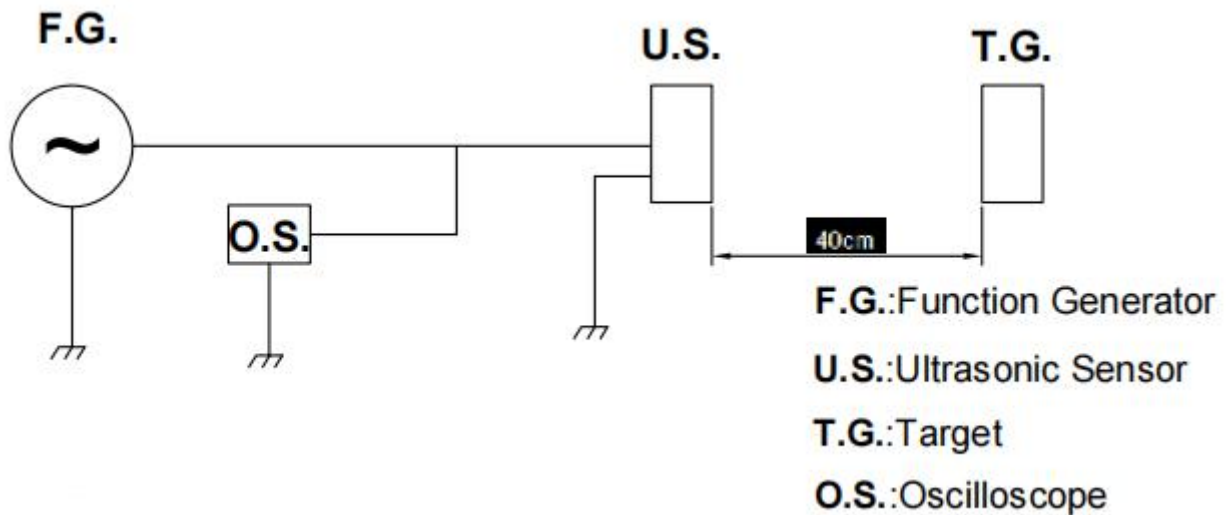


unit:mm

BEAM PATTERN



TEST CIRCUIT



NOTICE

1. Export Control <For customers outside The People's Republic of China>

No Manorshi products should be used or sold, through any channels, for use in the design, development, production, utilization, maintenance or operation of, or otherwise contribution to

- (1) any weapons (Weapons of Mass Destruction [nuclear, chemical or biological weapons or missiles] or conventional weapons) or
- (2) goods or systems specially designed or intended for military end-use or utilization by military end-users.

2. Please contact our sales representatives or product engineers before using the products in the specification or catalogue for the applications listed below, which require especially high reliability for the prevention of defects which might directly damage a third party's life, body or property, or when one of our products is intended for use in applications other than those specified in this specification.

- a) Aircraft equipment or Aerospace equipment
- b) Undersea equipment and Power plant equipment
- c) Medical equipment and Transportation equipment (vehicles, trains, ships, etc.)
- d) Traffic signal equipment / Disaster prevention / crime prevention equipment
- e) Data-processing equipment including Application of similar complexity and/or reliability requirements to the applications listed above

3. Product specifications and catalogues are subject to change and our products in them may be discontinued without advance notice.

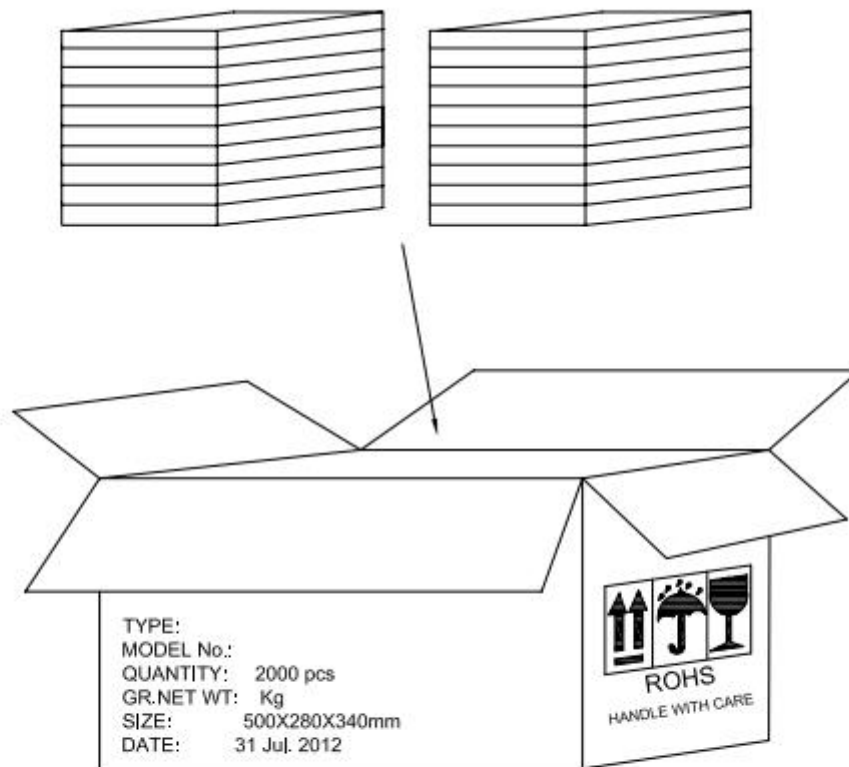
Please check with our sales representatives or product engineers before ordering. If there are any questions, please contact our sales representatives or product engineers.

4. Please read rating and CAUTION (for storage, operating, rating, soldering, mounting and handling) in this specifications in order to prevent smoking and/or burning, etc.

5. Please note that unless otherwise specified, we shall assume no responsibility whatsoever for any conflict or dispute that may occur in connection with the effect of our and/or a third party's intellectual property rights and other related rights in consideration of your use of our products and/or information described or contained in our specifications and catalogues. In this connection, no representation shall be made to the effect that any third parties are authorized to use the rights mentioned above under licenses without our consent.

6. No ozone depleting substances (ODS) under the Montreal Protocol are used in our manufacturing process.

PACKING



- 1)50 pcs/tray
- 2)40 trays/carton
- 3)2000 pcs/carton in total
- 4)carton size: 500X280X340mm