



## PRODUCT SPECIFICATION

Product Name: Piezo Buzzer

Part Number: MSPS43A28P33V220FPT

Document No: \_\_\_\_\_

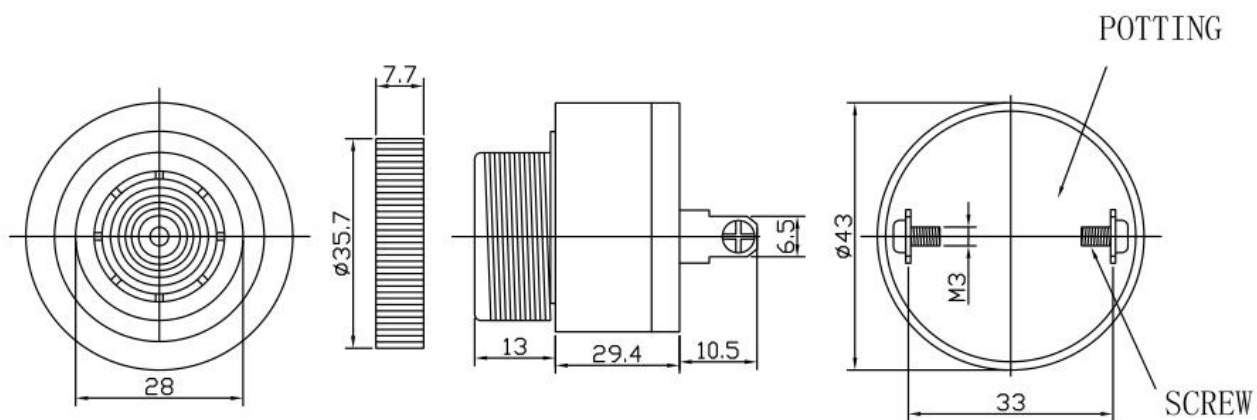
Date: 2021.05.26

DRAWING BY	CHECKED BY	APPROVED BY
CHEN YUAN	YUE QIN	JIN LI

### 1.SPECIFICATION

Model No	MSPS43A28P33V220
Operating Voltage	60~250VDC/AC
Tone Nature	FAST PULSE
Max.Rated Current	16mA at 220VDC/AC
Min.Sound Pressure Level	91dB at 220VDC/AC 10cm
Resonant Frequency	2.8±0.5KHz
Operating Temperature	-20℃~+60℃
Storage Temperature	-30℃~+70℃
Weight	43g

## 2.APPEARANCE DRAWING



(UNIT:MM) Tolerance: ±0.5mm

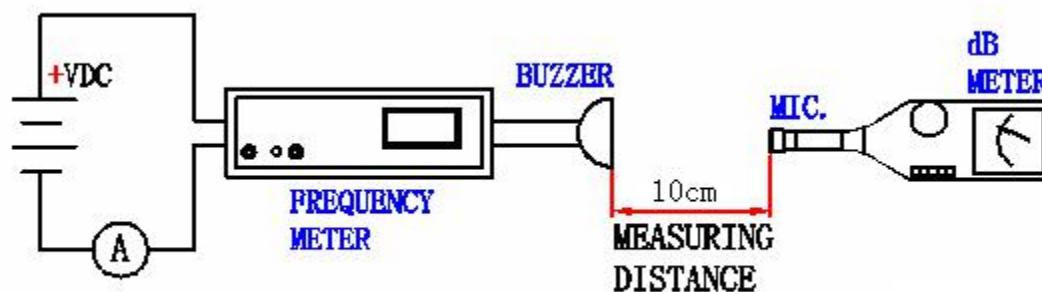
## 3.TESTING METHOD

### Standard Measurement conditions

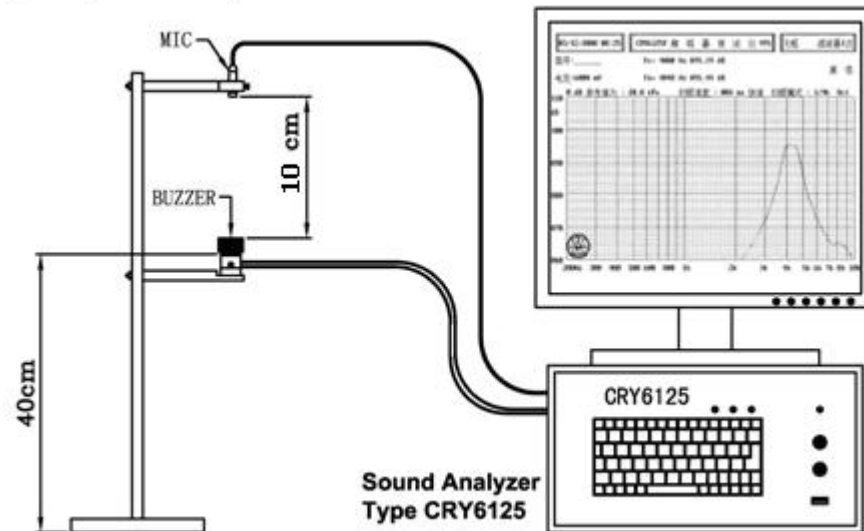
Temperature:25±2℃ Humidity:45-65%

### Acoustic Characteristics:

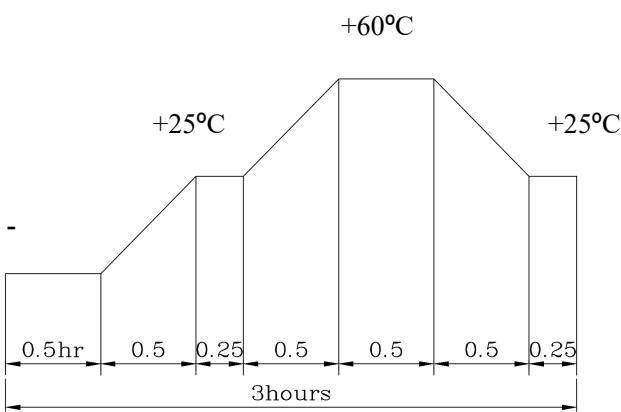
The oscillation frequency, current consumption and sound pressure are measured by the measuring instruments shown below



In the measuring test, buzzer is placed as follows:



## 4.RELIABILITY TEST

NO.	ITEM	TEST CONDITION AND REQUIREMENT
1	High Temperature Test (Storage)	After being placed in a chamber with 70 °C for 96 hours and then being placed in normal condition for 2 hours. Allowable variation of SPL after test: +/-10dB.
2	Low Temperature Test (Storage)	After being Placed in a chamber with -30 °C for 96 hours and then being placed in normal condition for 2 hours. Allowable variation of SPL after test: +/-10dB.
3	Humidity Test	After being Placed in a chamber with 90-95% R.H. at 40 °C for 96 hours and then being placed in normal condition for 2 hours. Allowable variation of SPL after test: +/-10dB.
4	Temperature Cycle Test	<p>The part shall be subjected to 5 cycles. One cycle shall be consist of:</p>  <p>Allowable variation of SPL after test: +/-10dB.</p>
5	Drop Test	Drop on a hard wood board of 4cm thick, any directions ,3 times, at the height of 75cm . Allowable variation of SPL after test: +/-10dB.



# MANORSHI ELECTRONICS CO.,LTD

6	Vibration Test	After being applied vibration of amplitude of 1.5mm with 10 to 55 Hz band of vibration frequency to each of 3 perpendicular directions for 2 hours . Allowable variation of SPL after test: +/-10dB.
7	Solderability Test	Lead terminals are immersed in rosin for 5 seconds and then immersed in solder bath of +300 5°C for 3 1 seconds . 90% min. lead terminals shall be wet with solder (Except the edge of terminals).
8	Terminal Strength Pulling Test	The force of 9.8N(1.0kg) is applied to each terminal in axial direction for 10 seconds. No visible damage and cutting off.

### TEST CONDITION.

Standard Test Condition : a) Temperature : +5 ~ +35°C b) Humidity : 45-85% c) Pressure : 860-1060mbar  
一般测试条件 : a) 温度 : +5 ~ +35°C b) 湿度 : 45-85% c) 气压 : 860-1060mbar  
Judgment Test Condition : a) Temperature : +25 ± 2°C b) Humidity : 60-70% c) Pressure : 860-1060mbar  
争议时测试条件 : a) 温度 : +25 ± 2°C b) 湿度 : 60-70% c) 气压 : 860-1060mbar