

DESCRIPTION: Ultrasonic Sensor
MODEL: MSO-P1640H12R

FEATURES

Receiver: "R" mark on housing
 Compact and light weight.
 High sensitivity and sound pressure
 Less power consumption
 High reliability

PICTURE:

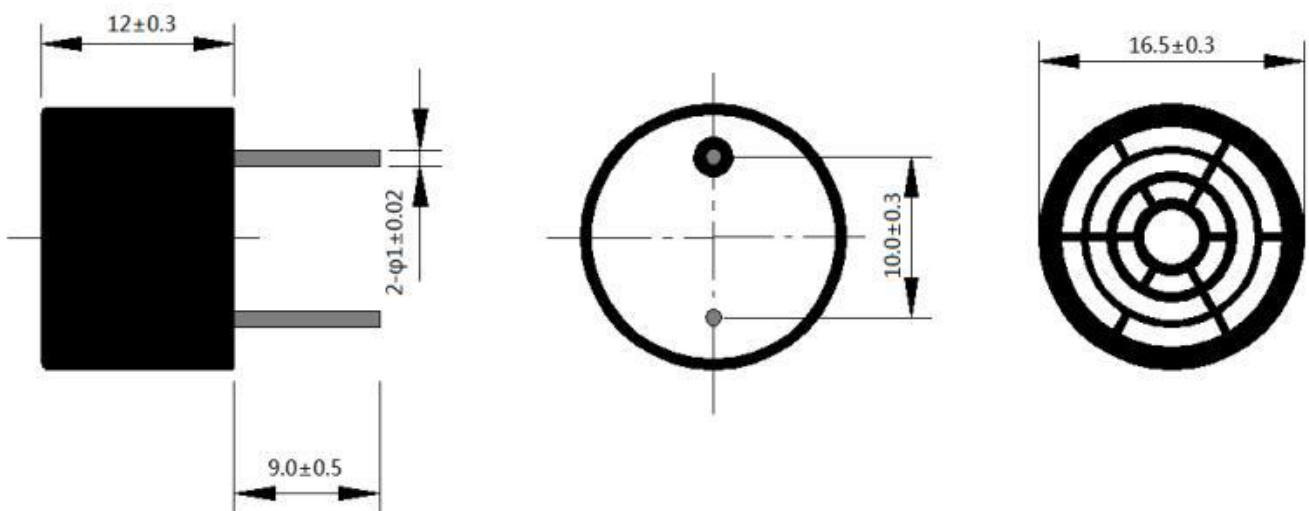


SPECIFICATIONS

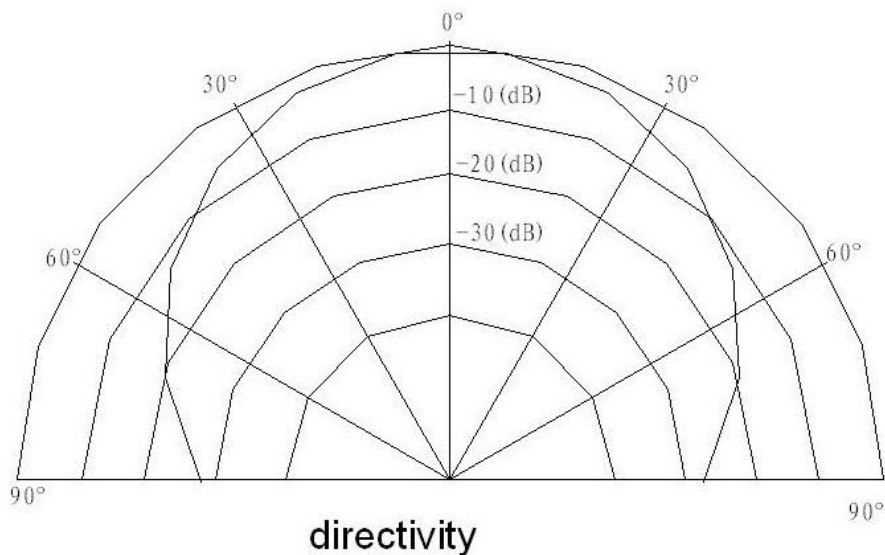
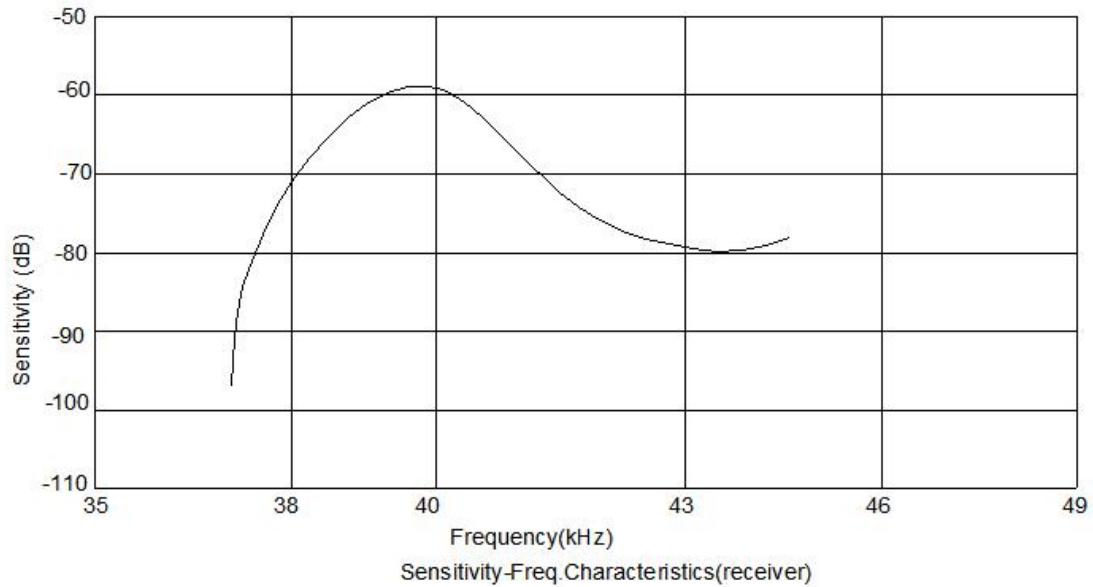
Item	Value
Using method	Receiver
Nominal Frequency	$39 \pm 1\text{KHZ}$
Sensitivity	$\geq -68\text{dBV}/\mu\text{Mbar}$
Directivity	80deg
Capacitance	$2400 \pm 20\% @ 1\text{KHz}$
Allowable input voltage	150Vp-p(40KHz)
Detectable range	0.2~18m
Operating Temperature	-20~ +70℃
Housing material	Plastic
Weight	2.0g

MECHANICAL DRAWING

units:mm

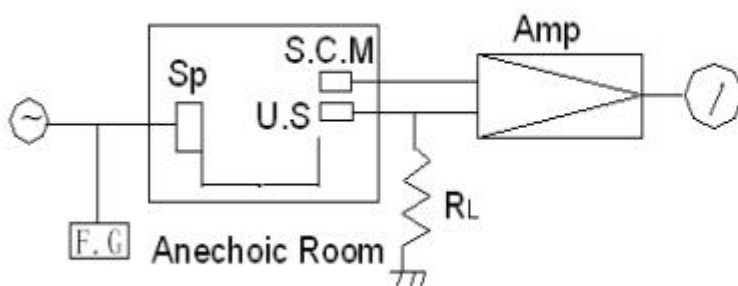


BEAM PATTERN



TEST CIRCUIT

Receiver



RL: $3.9K\Omega$

U.S :Ultrasonic Sensor

S.C.M:Standard Cappacitor Microphone

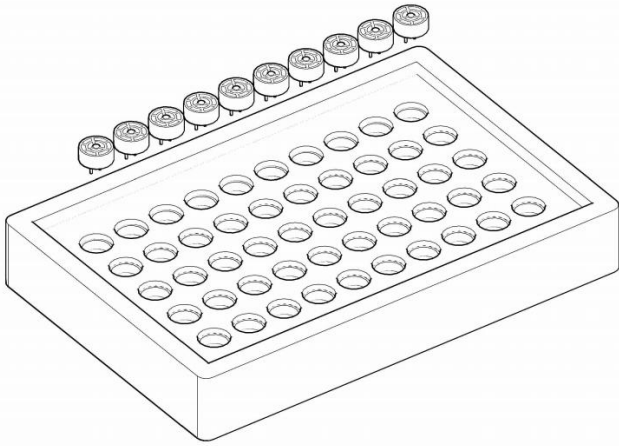
Amp. :Amplifier

OSC. :Oscillator

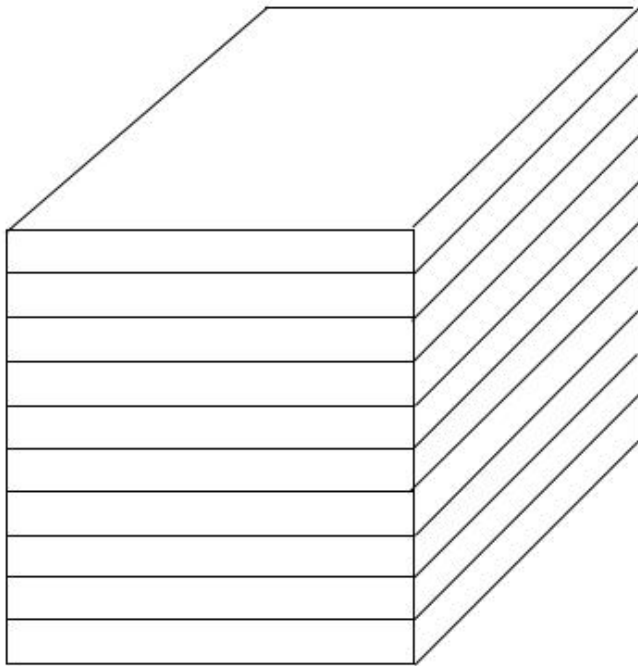
Sp :Tweeter

F.C :Frequency Counter

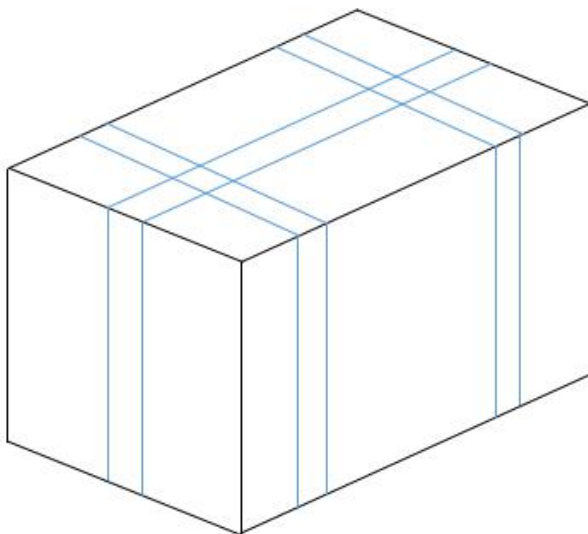
PACKAGING DETAILS



50PCS/BOX
BOX SIZE:24*16*3CM



10BOXES/STACK, TOTAL 500PCS
STACK SIZE:24*16*24CM



2000PCS/CARTON
CARTON SIZE:48*28*32CM