

**DESCRIPTION:** Ultrasonic Sensor  
**MODEL:** MSO-A1623H12T

### FEATURES

Transmitter: "23T" mark on housing  
 Compact and light weight.  
 High sensitivity and sound pressure  
 Less power consumption  
 High reliability

**PICTURE:**

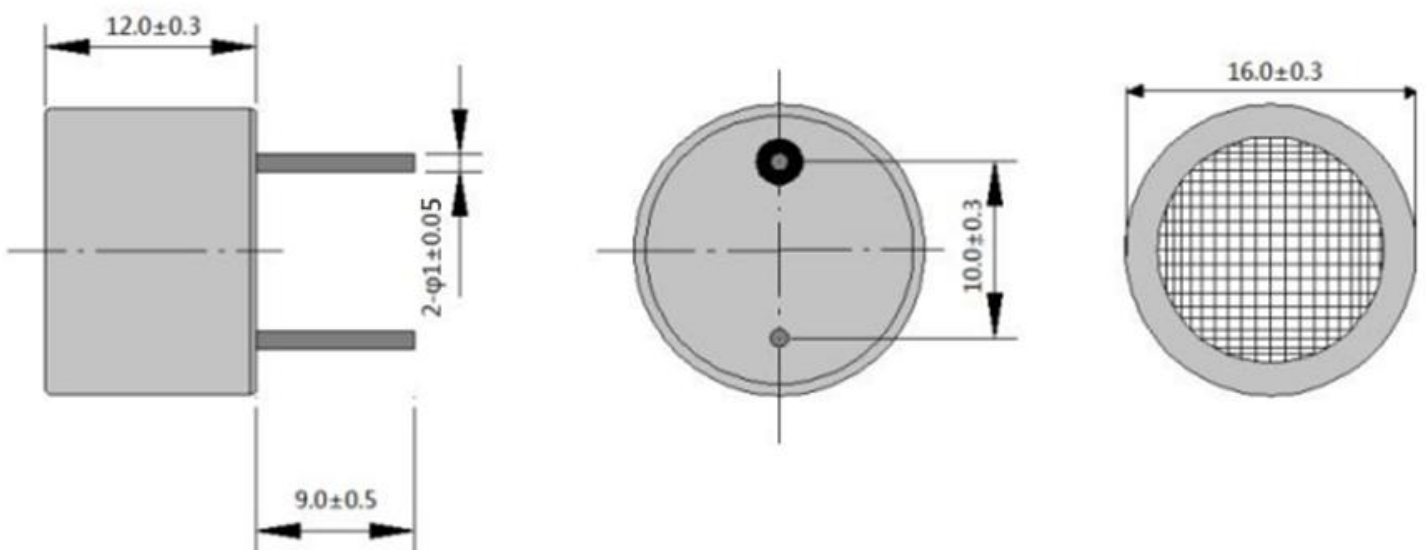


### SPECIFICATIONS

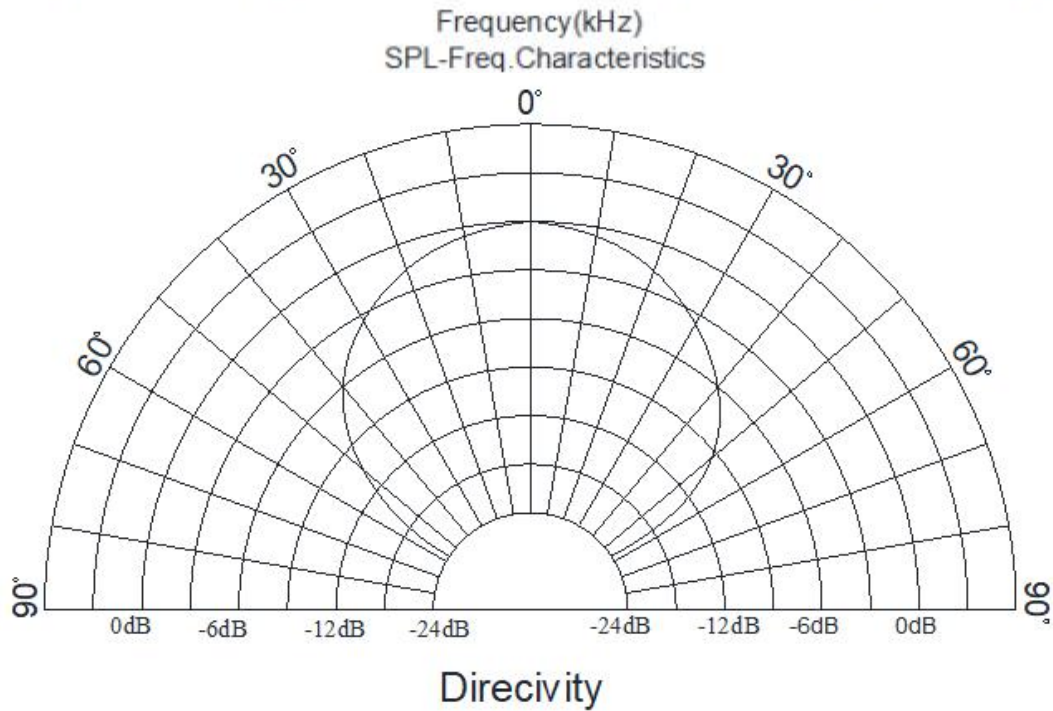
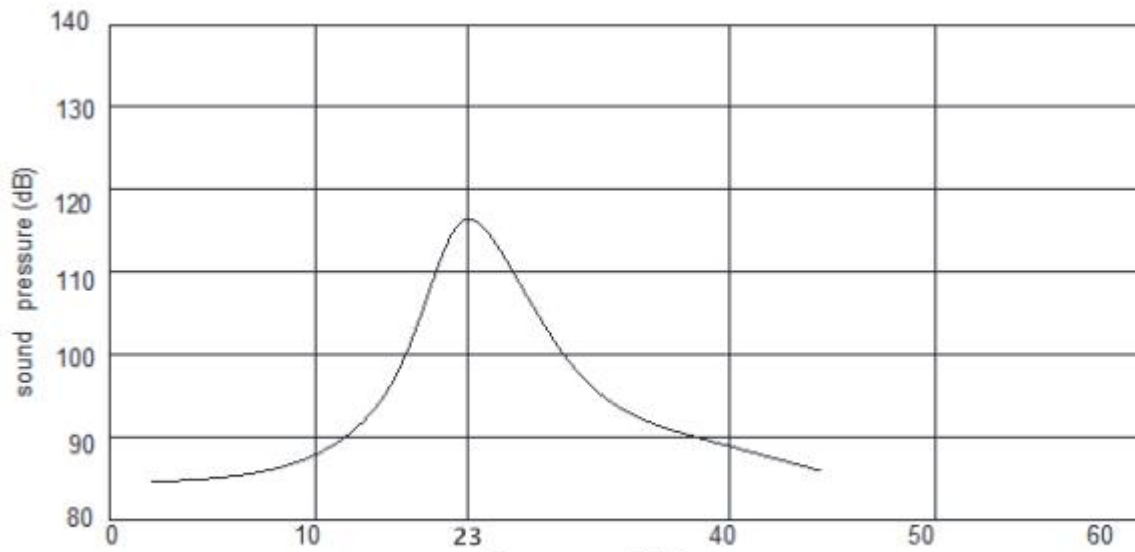
Item	Value
Using method	Transmitter
Center frequency	23±1.0KHz
Sound pressure level	≥115dB
Capacitance	2200±25%pF at 1KHz
Directivity	80°±15° (-6dB )
Maximum input voltage	60Vp-p
Detectable range	0-1300cm
Housing material	Aluminum
Operating Temperature	-20~+80℃
Storage Temperature	-20~+80℃

### MECHANICAL DRAWING

units:mm

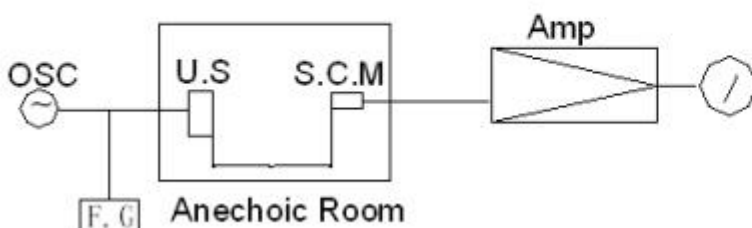


## BEAM PATTERN



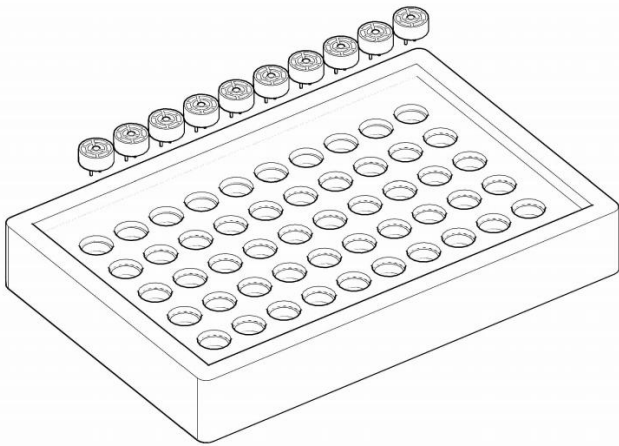
## TEST CIRCUIT

### Transmitter

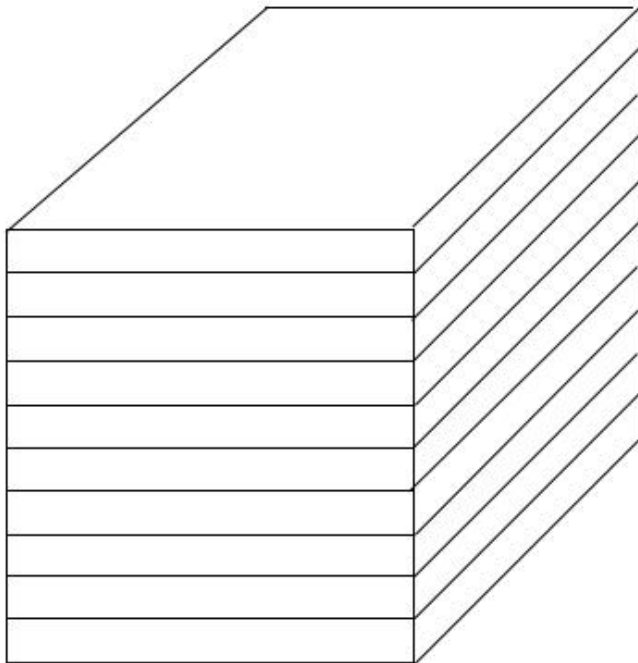


U.S :Ultrasonic Sensor  
 S.C.M:Standard Cappacitor Microphone  
 Amp. :Amplifier  
 Input voltage: 10Vrms  
 F.C :Frequency Counter

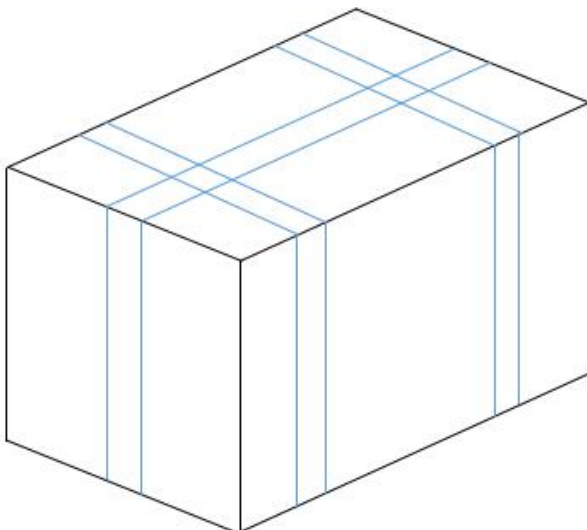
## PACKAGING DETAILS



50PCS/BOX  
BOX SIZE:23.5\*13.5\*3CM



10BOXES/STACK, TOTAL 500PCS  
STACK SIZE:23.5\*13.5\*31CM



1000PCS/CARTON  
CARTON SIZE:28\*28.5\*24CM