

**DESCRIPTION:** Ultrasonic Speaker  
**MODEL:** MA5120

### FEATURES

1. Waterproof
2. Good consistency
3. Good performance consistency

### APPLICATIONS

1. Repel animals, For example: mice, snakes, mosquitoes, insects, etc.

### PICTURE:

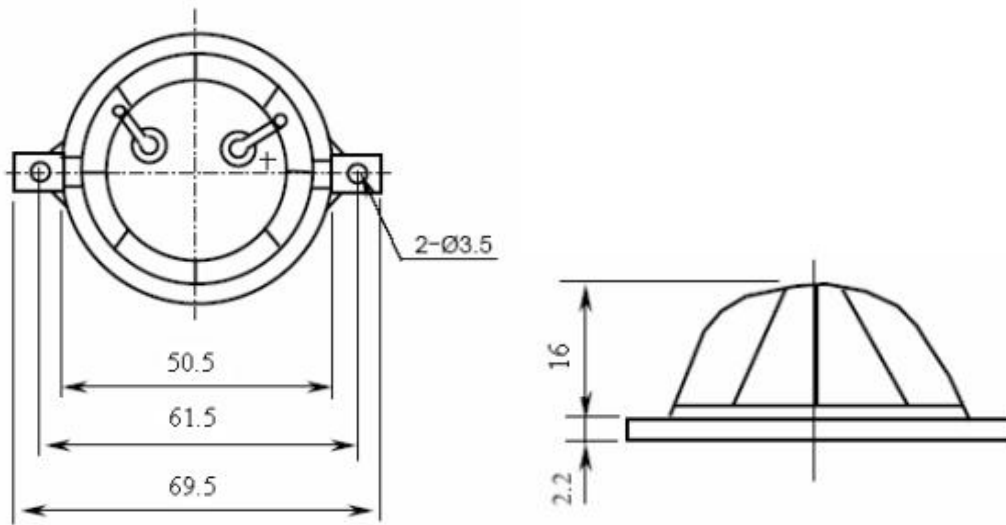


### SPECIFICATIONS

Item	Value
Operating Frequency	20±5KHz
Resonant Frequency Range	2.5~60KHz
Operating Volt.	≤10Vrms
Rated Volt.	2.83Vrms
Capacitance	80000±30%pF(at 100Hz)
Sound pressure level	≥100dB(at 2.83Vrms sine wave /10cm)
Current consumption	≤30mA(at 2.83Vrms)
Dimension	Φ50.5 x H18.2
Housing material	ABS
Paper Cone	Mylar cone
Operating temp.	-20 ~ +60°C
Storage temp.	-30 ~ +70°C

**MECHANICAL DRAWING**

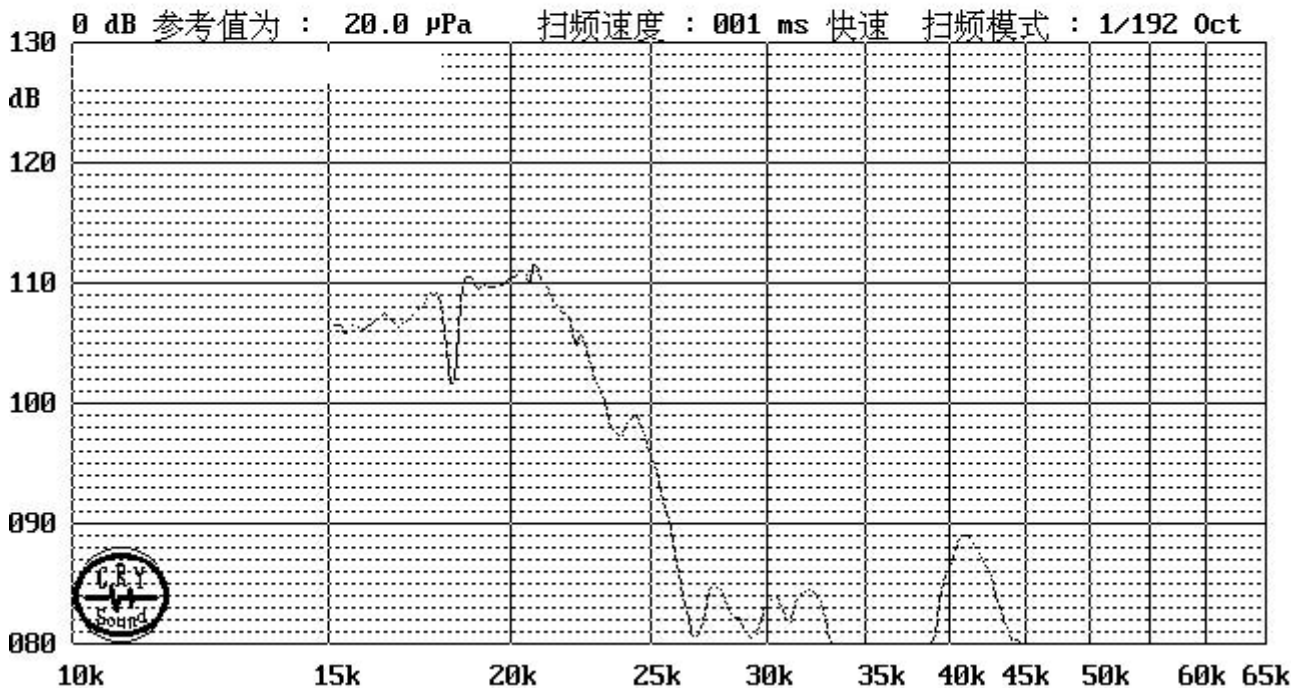
units:mm



**FREQUENCY RESPONSE CURVE**

01/24/2022 15:37      CRY6125FH 蜂鸣器电声参数测试仪 V91      无框      滤波器无

型号: \_\_\_\_\_      发送 T: \_\_\_\_\_      接收 R: \_\_\_\_\_      阻抗 Z: \_\_\_\_\_  
 电压: 8485 mV      Fc= 40000Hz 086.16dB      Fc= 40000Hz \_\_\_\_\_ dB      Fv= \_\_\_\_\_ Hz \_\_\_\_\_ Ω  
 正弦波      Fo= 20758Hz 111.60dB      Fo= \_\_\_\_\_ Hz \_\_\_\_\_ dB      Fo= \_\_\_\_\_ Hz \_\_\_\_\_ Ω



### PACKAGING DETAILS

